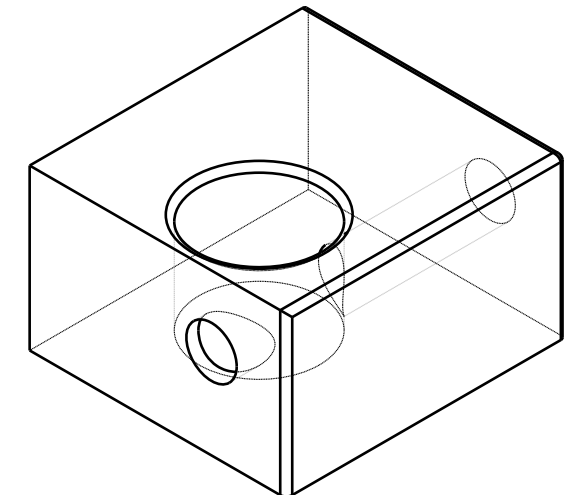
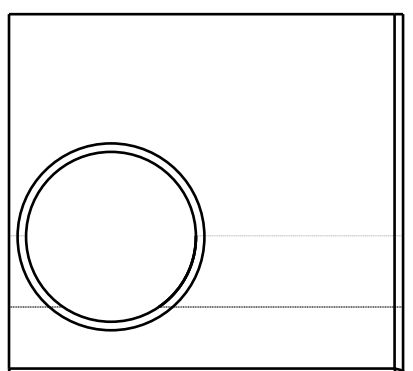
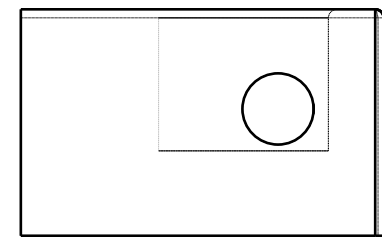
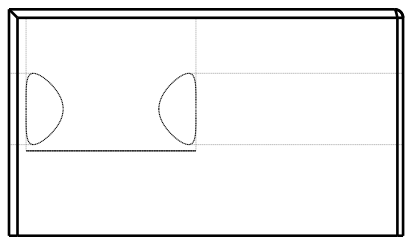
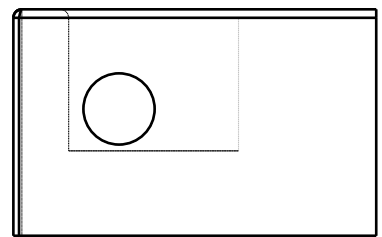
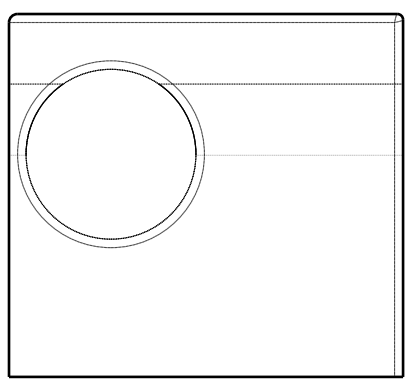
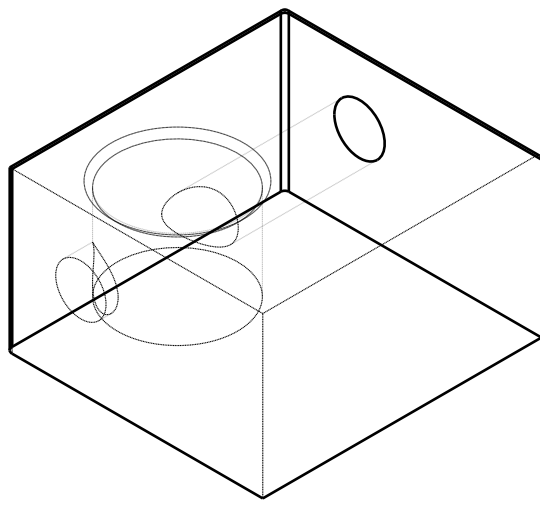


H G F E D C B A



4

4

3


3

2

2

1

1

DESIGNED BY: CATRAX		TEST MISE EN PLAN pour copain des copeaux		I	-
DATE: 05-10-2015				H	-
CHECKED BY:				G	-
DATE:				F	-
SIZE A3		DRAWING NUMBER 1		E	-
SCALE 1:10	WEIGHT (kg)			D	-
			SHEET PL	C	-
				B	-
This drawing is our property; it can't be reproduced or communicated without our written agreement.				A	-

H G B A