

**FREE  
PLANS**



Mobile Table Saw  
Station Build



# Mobile Table Saw Station Plans

for DeWalt DW745

By [Happy Wife Happy Life](#)

Please Subscribe!

Video [Here](#)

**I provide these plans for free if you found them useful, you are welcomed to make a donation to the charitable cause for which I'm raising money this year. Details can be found on my YouTube channel.**

**Thanks**

# Introduction

The build for this table saw station was done with 38x63mm CLS timber (1 ½" x 2 ½"). The quality of the timber wasn't great and it therefore wasn't all uniform thickness.

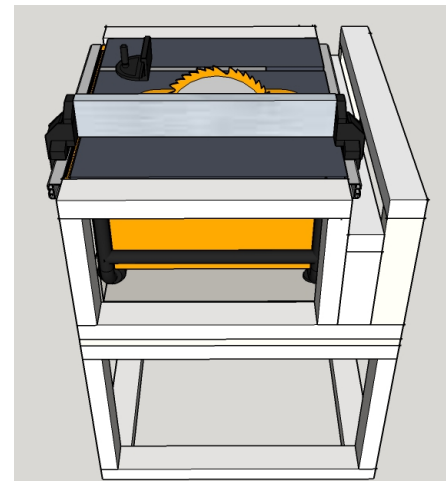
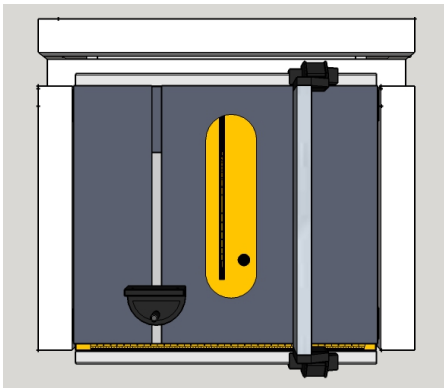
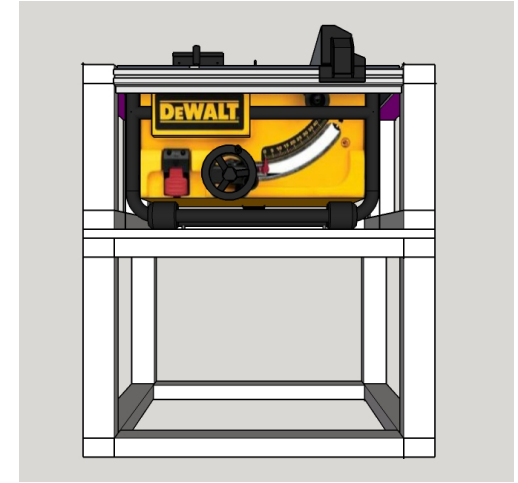
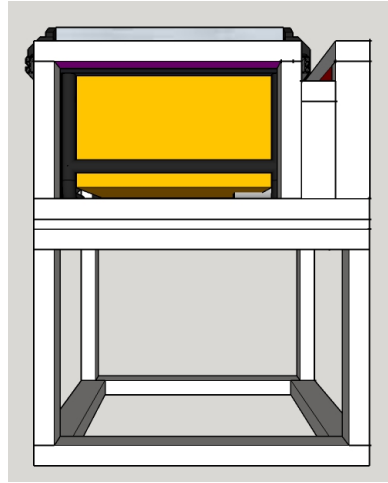
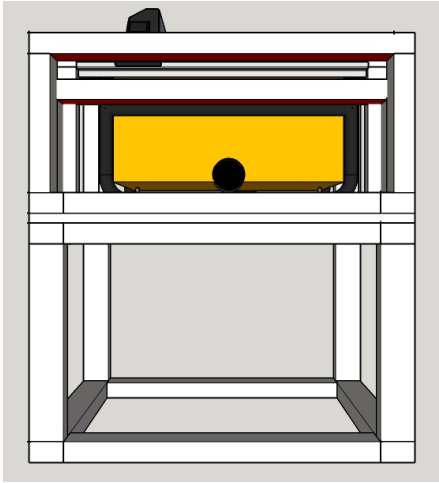
I also used 2" (50mm) pocket hole screws and 65mm woodscrews.

Before building ensure you check the dimensions will fit your saw as some DeWalt DW745 saws in different countries can be slightly different sizes.

I added some 6mm plywood to the top of the frame to bring up to level with the table saw table (this was in my original design) but the dimensions in these plans should mean you don't need to do this.

To get the station to the desired height you can either change the dimensions of the bottom frame or add blocks to the castors.

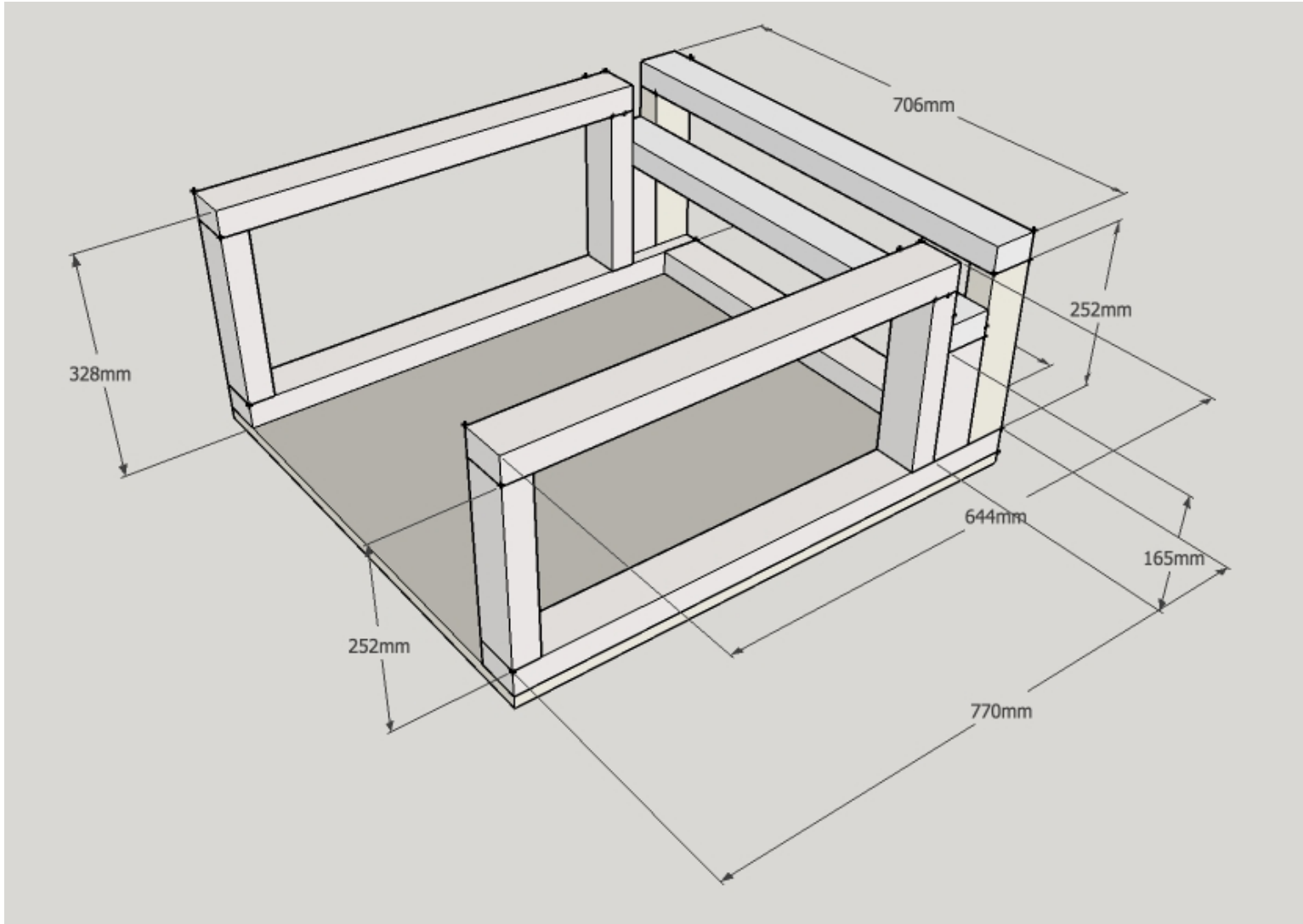
# Finished View



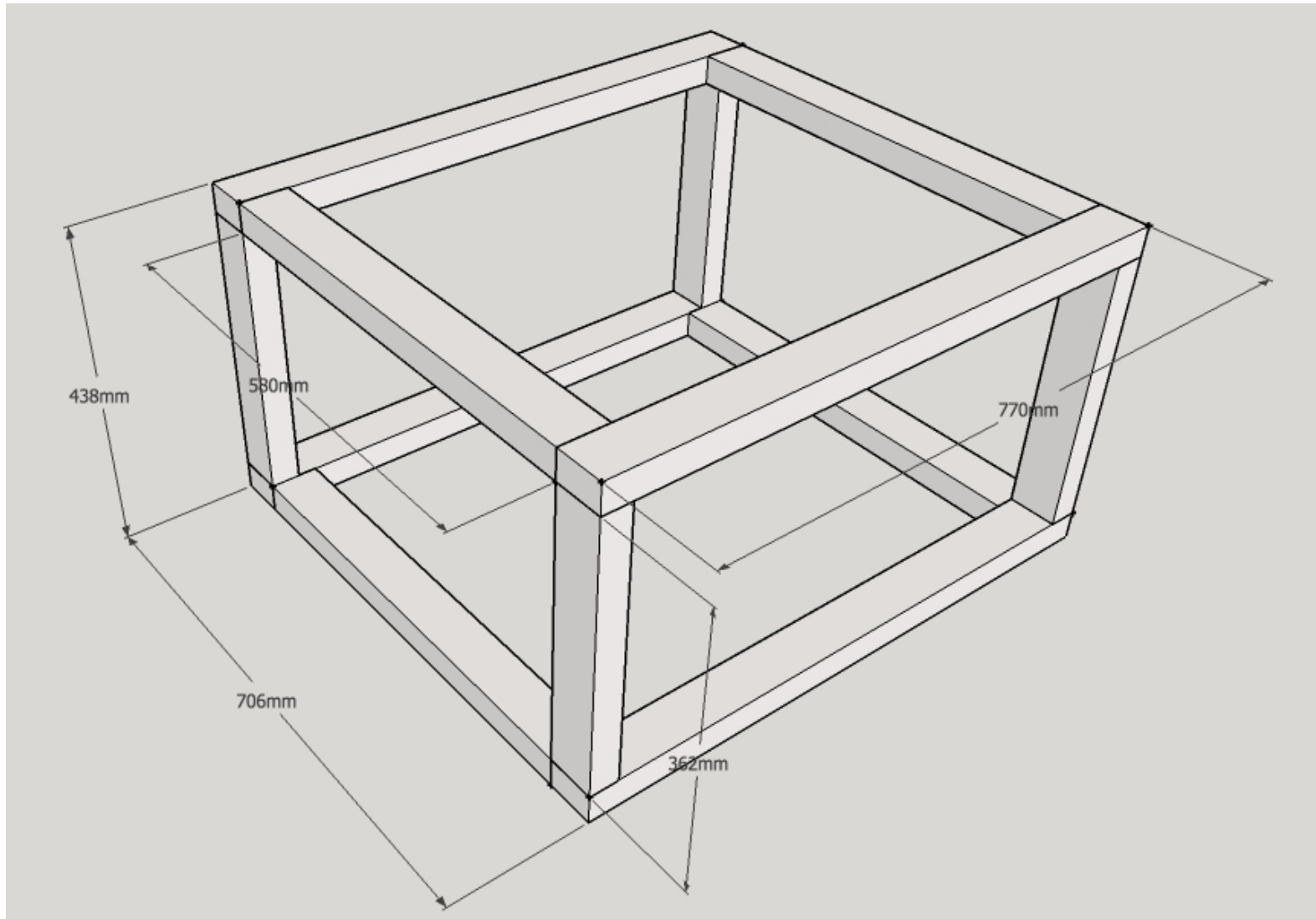
# Cut List

<b>Component</b>	<b>Material</b>	<b>Dimensions</b>	<b>Number of items</b>
Top frame	38x63 Timber	644mm	2
		770mm	2
		252mm	6
		706mm	2
		165mm	2
		580mm	1
Bottom frame	38x63 Timber	362mm	4
		770mm	4
		580mm	4
Shelf	18mm Plywood	770x706mm	1

# Plans – Upper frame 1



# Plans – Lower frame



# Plans – Overall view 1

