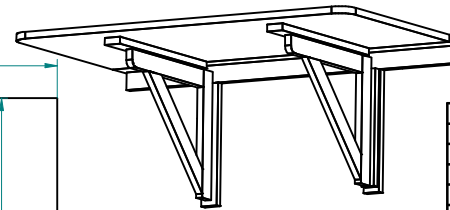
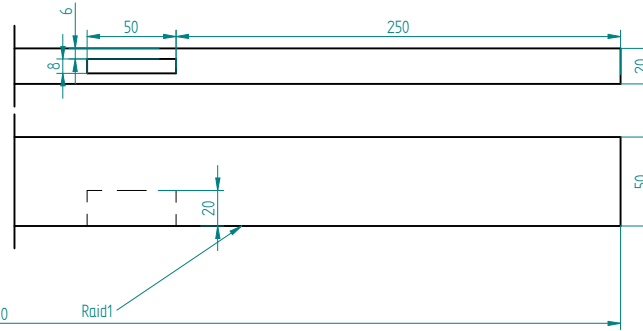
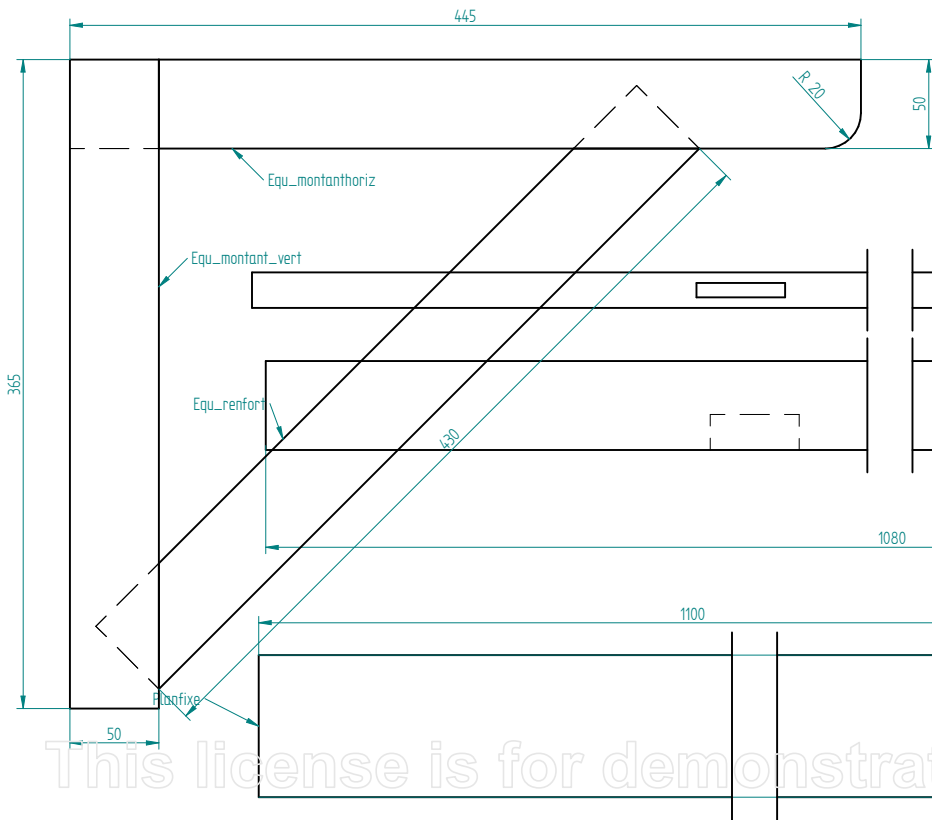


REVISION HISTORY

REV	DESCRIPTION	DATE	APPROVED
	50		
	40		
	4.80		
	3.35		
	cale_ep		



DRAWN	NAME	DATE	Solid Edge		
CHECKED	rpifette	09/28/18	TITLE		
ENG APPR			FILE NAME: table100x650.dft		
MGR APPR			SCALE:	WEIGHT:	SHEET 1 OF 1
UNLESS OTHERWISE SPECIFIED DIMENSIONS ARE IN MILLIMETERS ANGLES ±X.X° 2 PL ±XXX 3 PL ±XXXX			SIZE A2	DWG NO	REV

This license is for demonstration