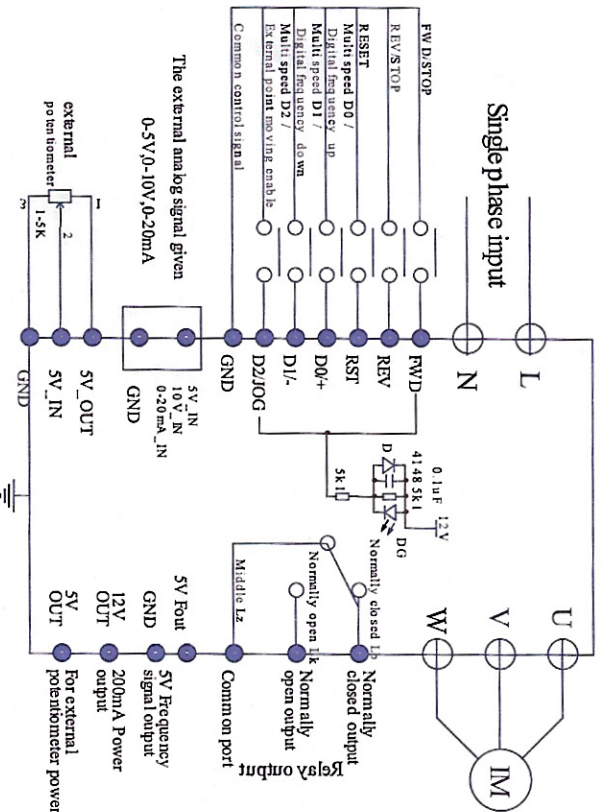


Wiring figure (single phase)



⊕ main-loop port  
 ⊖ control-loop port

Port name	Description
L N	Single phase power input.
U V W	Three phase AC output ports can only connect to pure resistance or inductance load such as motors or electric heater.